

Design

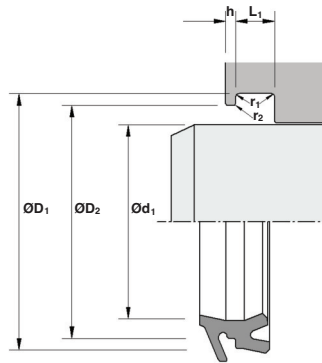
The Hallite 844 wiper has been specifically developed for cylinders used in demanding off-highway applications. It is a double lip wiper designed for use with venting U-rings such as the Hallite 663 rod seal. The special feature is the flap on the wiping lip which covers the gland housing, preventing the water/slurry trap so common with conventional wipers and thus ingress of contamination around the outside of the wiper. The design minimises the oil transfer out of the ram on the cylinder rod and prevents dirt, contamination and moisture entering the cylinder through the rod gland. The design is also particularly tolerant to rod deflection.

The standard range is made from the high-performance Hallite® 361 polyurethane. The wiper is also available in other Hallite polyurethane grades, if required.

Some sizes, indicated by * have a textured wiping lip as the Type 846 for long stroking cylinder applications.

Features

- Contamination resistant
- Tolerant to rod deflection
- Water/slurry trap prevention
- Textured wiping lip option
- Range of materials



Technical details

Operating conditions

Maximum Speed 4.0 m/sec
 Temperature Range -45°C +110°C

Surface roughness

Dynamic Sealing Face $\text{Ø}d_1$ 0.1 < > 0.4 μmRt 4 max
 Static Sealing Face $\text{Ø}D_1$ $\text{Ø}D_2$ h 1.6 max 10 max
 Static Housing Faces L_1 3.2 max 16 max

Radii

Max Fillet Rad r_1 mm 0.4
 Max Fillet Rad r_2 mm 0.4

Tolerances

	$\text{Ø}d_1$	$\text{Ø}D_1$	$\text{Ø}D_2$	L_1	h
mm	f9	H11	H11	+0.2 -0	+0.2 -0

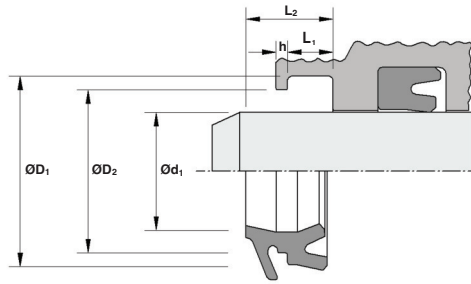
Metric

Inch

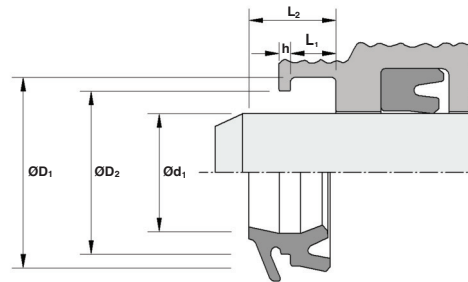
12.0 ft/sec
 -50°F +230°F

μinCLA	μinRMS
4 < > 16	5 < > 18
63 max	70 max
125 max	140 max





Ød_1	TOL f9	ØD_1	TOL H11	ØD_2	TOL H11	L_1 +0.2 -0	L_2	h +0.2 -0	PART No.
16	-0.020 -0.072	22.0	+0.16 +0.00	19.0	+0.13 +0.00	4.0	7.0	1.00	4826406
18	-0.020 -0.072	24.0	+0.16 +0.00	21.0	+0.13 +0.00	4.0	7.0	1.00	4848606
20	-0.020 -0.072	26.0	+0.16 +0.00	23.0	+0.13 +0.00	4.0	7.0	1.00	4827606
25	-0.020 -0.072	31.0	+0.16 +0.00	28.8	+0.13 +0.00	4.0	7.0	1.00	4805206
28	-0.020 -0.072	36.0	+0.16 +0.00	33.0	+0.16 +0.00	5.0	9.0	1.20	4833106
30	-0.020 -0.072	38.0	+0.16 +0.00	35.0	+0.16 +0.00	5.0	9.0	1.20	4803706
32	-0.020 -0.087	40.0	+0.16 +0.00	37.0	+0.16 +0.00	5.0	9.0	1.20	4827706
35	-0.020 -0.087	43.0	+0.16 +0.00	40.0	+0.16 +0.00	5.0	9.0	1.20	4805306
36	-0.020 -0.087	44.0	+0.16 +0.00	41.0	+0.16 +0.00	5.0	9.0	1.20	4833206
40	-0.020 -0.087	48.0	+0.16 +0.00	45.0	+0.16 +0.00	5.0	9.0	1.20	4794006
45	-0.020 -0.087	53.0	+0.19 +0.00	50.0	+0.16 +0.00	5.0	9.0	1.20	4800006
50	-0.020 -0.087	58.0	+0.19 +0.00	55.0	+0.19 +0.00	5.0	8.0	1.20	4869606
50	-0.020 -0.087	58.0	+0.19 +0.00	55.0	+0.19 +0.00	5.0	9.0	1.20	4803606
50.8	-0.030 -0.104	60.8	+0.19 +0.00	57.8	+0.19 +0.00	6.0	10.0	1.20	4781500*
55	-0.030 -0.104	65.0	+0.19 +0.00	60.0	+0.19 +0.00	6.0	11.5	1.60	4805406
60	-0.030 -0.104	70.0	+0.19 +0.00	67.0	+0.19 +0.00	6.0	9.5	1.60	4869706
60	-0.030 -0.104	70.0	+0.19 +0.00	67.0	+0.19 +0.00	6.0	11.5	1.60	4799506
63	-0.030 -0.104	73.0	+0.19 +0.00	70.0	+0.19 +0.00	6.0	11.5	1.60	4833306
65	-0.030 -0.104	75.0	+0.19 +0.00	72.0	+0.19 +0.00	6.0	11.5	1.60	4805506
70	-0.030 -0.104	80.0	+0.19 +0.00	77.0	+0.19 +0.00	6.0	11.5	1.60	4805606
75	-0.030 -0.104	85.0	+0.22 +0.00	82.0	+0.22 +0.00	6.0	11.5	1.60	4805706
80	-0.030 -0.104	90.0	+0.22 +0.00	87.0	+0.22 +0.00	6.0	11.5	1.60	4805806
85	-0.036 -0.123	95.0	+0.22 +0.00	92.0	+0.22 +0.00	6.0	11.5	1.60	4805906



Ød_1	TOL f9	ØD_1	TOL H11	ØD_2	TOL H11	L_1 +0.2 -0	L_2	h +0.2 -0	PART No.
90	-0.036 -0.123	100.0	+0.22 +0.00	97.0	+0.22 +0.00	6.0	11.5	1.60	4806006
105	-0.036 -0.123	120.0	+0.22 +0.00	115.0	+0.22 +0.00	9.5	17.0	2.50	4800400*
110	-0.036 -0.123	125.0	+0.25 +0.00	120.0	+0.22 +0.00	9.5	17.0	2.50	4853106
125	-0.043 -0.143	140.0	+0.25 +0.00	135.0	+0.25 +0.00	9.5	17.0	2.50	4853206

* These parts are made in Hythane® 181 and have a textured wiping lip for long stroking cylinder applications.

