

834

WIPER

Single-Lipped
Polyurethane

Designed for Metric Housings

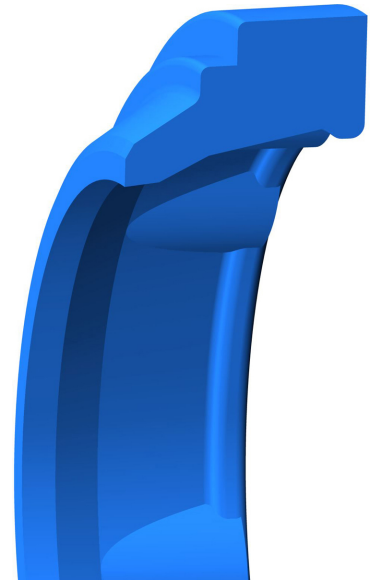
DESIGN

The Hallite 834 single lipped, snap-in rod wiper is designed to fit standard housing, including many ISO 6195E sizes. The proportions of the wiping lip ensure that contact is maintained with the surface of the rod to remove all deposits of mud and other forms of contamination except for those found in heavy industrial applications.

The moulded ribs on the internal diameter provide extra stability to the wiper and help prevent the possibility of blow-out due to pressure trapping between the wiper and the main rod seal.

The Hallite 834 is precision moulded in Hythane® 181 for maximum wear resistance.

For better dry rod performance and protection against moisture ingress, the Hallite technical team may advise you to use a Hallite 846 wiper instead of the Hallite 834.



FEATURES

- Snug fit provides effective sealing
- Long life and long wear
- Ribs relieve pressure and improve stability
- Easy to install

MATERIALS

As standard, this product comes in the following material. Contact your local Hallite technical team if you would like to find out if this profile can be made in a custom material to suit your application. For further material details, please refer to the Hallite Material Table.

MATERIAL OPTIONS	Name	Type	Colour
Standard	Hythane® 181	TPU-EU	Blue

TECHNICAL DETAILS

OPERATING CONDITIONS	METRIC	INCH
Maximum Speed	4.0 m/sec	12.0 ft/sec
Temperature Range	-45°C +110°C	-50°F +230°F

NOTE

Not designed to scrape ice

NOTE

Data given are maximum values and can apply depending on specific application. Maximum ratings of temperature, pressure, or operating speeds are dependent on fluid medium, surface, gap value, and other variables such as dynamic or static service. Maximum values are not intended for use together at the same time, e.g. max temperature and max pressure. Please contact your Hallite technical representative for application support.

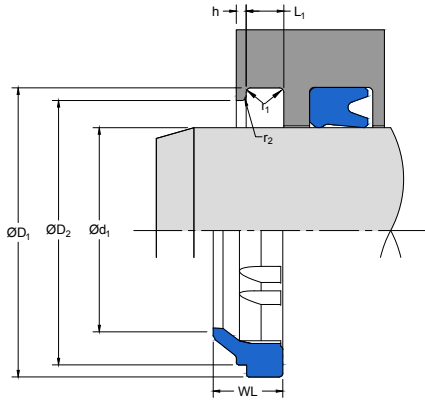
SURFACE ROUGHNESS	μmRa	μmRz	μmRt	μinRa	μinRz	μinRt
Dynamic Sealing Face $\varnothing d_1$	0.1 - 0.4	1.6 max	4 max	4 - 16	63 max	157 max
Static Sealing Face $\varnothing D_1, \varnothing D_2$	1.6 max	6.3 max	10 max	63 max	250 max	394 max
Static Housing Faces L_1	3.2 max	10 max	16 max	125 max	394 max	630 max

RADII	
Max Fillet Rad r_1 , mm	0.20
Max Fillet Rad r_2 , mm	0.40

NOTE

Assembly chamfers are governed by the associated rod seal.

TOLERANCES	$\varnothing d_1$	$\varnothing D_1$	$\varnothing D_2$	L_1
mm	f9	H11	H11	+0.20 -0



834

WIPER

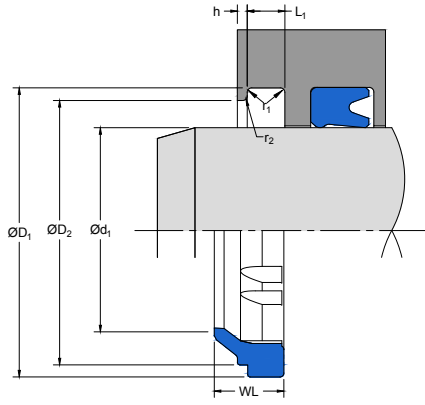
Single-Lipped
Polyurethane

Designed for Metric Housings

PART NUMBER RANGE

METRIC									
Ød ₁	TOL f ₉	ØD ₁	TOL H11	ØD ₂	TOL H11	L ₁ +0.20-0	WL	h	PART No.
18.00	-0.02 -0.06	26.00	+0.13 0.00	24.00	+0.13 0.00	4.00	7.00	1.00	4367200†
20.00	-0.02 -0.07	28.00	+0.13 0.00	26.00	+0.13 0.00	4.00	7.00	1.00	4391300†
22.00	-0.02 -0.07	30.00	+0.13 0.00	28.00	+0.13 0.00	4.00	7.00	1.00	4370600†
24.00	-0.02 -0.07	32.00	+0.16 0.00	30.00	+0.13 0.00	4.00	7.00	1.00	4829300
25.00	-0.02 -0.07	33.00	+0.16 0.00	31.00	+0.16 0.00	4.00	7.00	1.00	4343900†
26.00	-0.02 -0.07	34.00	+0.16 0.00	32.00	+0.16 0.00	4.00	7.00	1.00	4514400
28.00	-0.02 -0.07	36.00	+0.16 0.00	34.00	+0.16 0.00	4.00	7.00	1.00	4373500†
30.00	-0.02 -0.07	38.00	+0.16 0.00	36.00	+0.16 0.00	4.00	7.00	1.00	4378800
32.00	-0.03 -0.09	40.00	+0.16 0.00	38.00	+0.16 0.00	4.00	7.00	1.00	4373600†
35.00	-0.03 -0.09	43.00	+0.16 0.00	41.00	+0.16 0.00	4.00	7.00	1.00	4398400
36.00	-0.03 -0.09	44.00	+0.16 0.00	42.00	+0.16 0.00	4.00	7.00	1.00	4370700†
37.00	-0.03 -0.09	45.00	+0.16 0.00	43.00	+0.16 0.00	4.00	7.00	1.00	4514500
38.00	-0.03 -0.09	46.00	+0.16 0.00	44.00	+0.16 0.00	4.00	7.00	1.00	4515400
40.00	-0.03 -0.09	48.00	+0.16 0.00	46.00	+0.16 0.00	4.00	7.00	1.00	4378900†
45.00	-0.03 -0.09	53.00	+0.19 0.00	51.00	+0.19 0.00	4.00	7.00	1.00	4370800†
46.00	-0.03 -0.09	54.00	+0.19 0.00	52.00	+0.19 0.00	4.00	7.00	1.00	4515200
48.00	-0.03 -0.09	56.00	+0.19 0.00	54.00	+0.19 0.00	4.00	7.00	1.00	4432700

NOTE Part numbers suffixed by "†" indicate housing sizes to meet ISO 6195E.



PART NUMBER RANGE

METRIC									
Ød ₁	TOL f ₉	ØD ₁	TOL H11	ØD ₂	TOL H11	L ₁ +0.20-0	WL	h	PART No.
50.00	-0.03 -0.09	58.00	+0.19 0.00	56.00	+0.19 0.00	4.00	7.00	1.00	4379000†
55.00	-0.03 -0.10	63.00	+0.19 0.00	61.00	+0.19 0.00	4.00	7.00	1.00	4515100
56.00	-0.03 -0.10	64.00	+0.19 0.00	62.00	+0.19 0.00	4.00	7.00	1.00	4385100†
60.00	-0.03 -0.10	68.00	+0.19 0.00	66.00	+0.19 0.00	4.00	7.00	1.00	4385200
63.00	-0.03 -0.10	71.00	+0.19 0.00	69.00	+0.19 0.00	4.00	7.00	1.00	4385300†
65.00	-0.03 -0.10	73.00	+0.19 0.00	71.00	+0.19 0.00	4.00	7.00	1.00	4394200
68.50	-0.03 -0.10	76.50	+0.19 0.00	74.50	+0.19 0.00	4.00	7.00	1.00	4855300
70.00	-0.03 -0.10	78.00	+0.19 0.00	76.00	+0.19 0.00	4.00	7.00	1.00	4373700†
75.00	-0.03 -0.10	83.00	+0.22 0.00	81.00	+0.22 0.00	4.00	7.00	1.00	4711900
80.00	-0.03 -0.10	88.00	+0.22 0.00	86.00	+0.22 0.00	4.00	7.00	1.00	4398500†
85.00	-0.04 -0.12	93.00	+0.22 0.00	91.00	+0.22 0.00	4.00	7.00	1.00	4839000
90.00	-0.04 -0.12	98.00	+0.22 0.00	96.00	+0.22 0.00	4.00	7.00	1.00	4398600
100.00	-0.04 -0.12	108.00	+0.22 0.00	106.00	+0.22 0.00	4.00	7.00	1.00	4394300
110.00	-0.04 -0.12	118.00	+0.22 0.00	116.00	+0.22 0.00	4.00	7.00	1.00	4448200
140.00	-0.04 -0.14	152.00	+0.25 0.00	149.00	+0.25 0.00	5.50	10.00	1.50	4456100†

NOTE Part numbers suffixed by "†" indicate housing sizes to meet ISO 6195E.