



AEON[®]

**HOLLOW RUBBER
SPRINGS**



HOLLOW RUBBER SPRINGS

AEON®

Hallite's extensive range of AEON® progressive rubber springs have improved suspension performance both as a sole suspension and as a spring helper for over 40 years. They provide a reliable alternative to metal and air springs.

FEATURES

- Progressive spring rate
- Self-damping properties
- Silent operation
- Easy installation
- Maintenance free
- Long life and excellent fatigue characteristics

Typical dimension of AEON® rubber spring are listed in the below over the page, and shown in the diagram on the right. Please contact your Hallite sales office for other available sizes.

TYPES AVAILABLE

AEON® springs are offered in various sizes, types, materials, and core dimensions in order to satisfy load/deflection requirements in a wide variety of applications. Springs are available in medium and hard natural rubber compounds in addition to softer compound options.

SINGLE SPRING

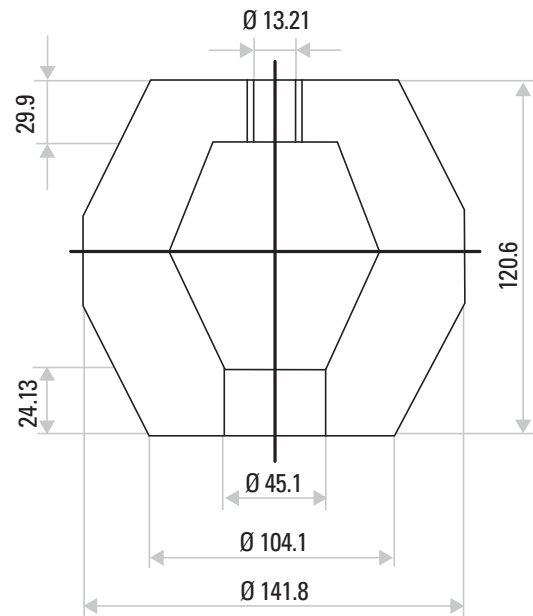
When space is limited or extra stability is required, fabricators choose the single convoluted rubber spring. Compared to double and triple convolutions, the single convoluted spring is characterized by its shorter deflection curve. This allows for less travel delivering a more aggressive load capacity.

DOUBLE SPRING

The double convoluted rubber springs offer the widest selection of ride quality and load capacity because of their longer deflection curve.

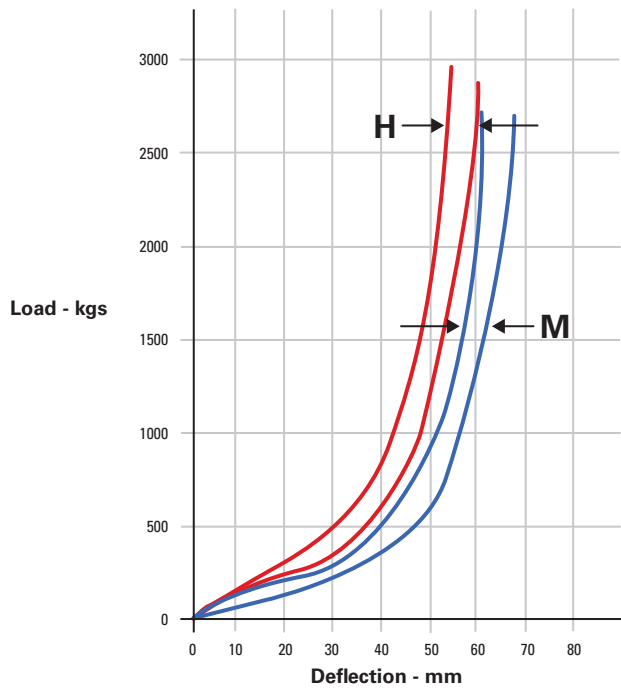
LOAD CAPACITY AND CAPABILITY

AEON® springs have exceptional load carrying capacity and are manufactured from the highest quality rubber.



(Dimensions of typical AEON® spring in mm)

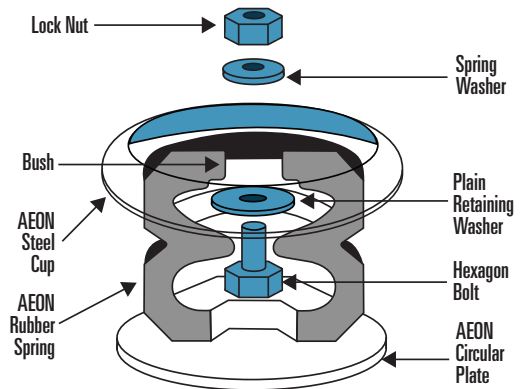




Examples of progressive spring rate of AEON springs



The illustration above shows the operation on an Aeon Spring in its free state, under normal working conditions and at its maximum load capacity



TYPICAL APPLICATIONS

CONSTRUCTION	Crane carriers, fork lift truck mast buffers, dumper truck seat suspension, wheel loader pivoting axles, and refuse compactors
AGRICULTURAL	Sole suspensions and spring assisters in conjunction with coil spring suspension in equipment, such as self-propelled and trailed sprayers
MATERIAL HANDLING AND GENERAL INDUSTRY	Air conditioning supports, sprung flooring, skid/pallet supports for equipment transportation, military F.V. trailers, agricultural pivotal drawbar suspension, trailers carrying cable reel with trailing arm suspension, and on forklifts in place of suspensions
COMMERCIAL AND OFF-ROAD	Livestock carriers, 4x4, and military vehicles
PERSONAL AND PUBLIC TRANSPORT	Mini- and midi-buses, coaches and van-derived conversions, and all-terrain wheelchairs

HOLLOW RUBBER SPRINGS

AEON®

CDI Product Number	Spring Type	Core / Stiffness Code	Free HT / mm	Outer Dia mm	Face Dia mm	Max Static Load kg		Max Bump Load kg	Full Deflection mm	Outside Dia at Max Bump mm	Approx Weight kg
						As Spring Assister	As Sole Suspension				
SINGLE CONVOLUTION											
6817000	170	M	70	85	57	1215	190	1814	50	124	0.37
6817001	170	H	70	85	57	1215	250	1820	42	122	0.37
6810300	103	B/M	91	108	87	1367	400	2041	54	152	0.76
6810301	103	B/H	91	108	87	1519	500	2268	46	148	0.79
6815200	1525	S	121	142	104	2734	600	4082	78	188	1.84
6815201	1525	M	121	142	104	3039	750	4536	70	185	1.84
6815202	1525	H	121	142	104	3040	900	4538	62	172	1.84
DOUBLE CONVOLUTION											
6850500	505	H	79	63	41	303	40	453	45	83	0.20
6851500	515	H	94	85	62	455	110	680	52	114	0.42
6852001	520	H	98	59	49	493	130	740	55	79	0.22
6852000	520	M	98	59	49	416	100	625	60	84	0.22
6853011	530	S/M	120	85	54	759	160	1134	75	123	0.51
6853012	530	S/H	120	85	54	958	190	1375	69	119	0.45
6853022	530	L/H	120	85	54	759	150	1134	73	121	0.45
6853020	530	S/S	120	85	54	616	80	875	82	129	0.51
6853500	535	M	130	100	79	1367	440	2041	80	157	0.82
6853501	535	H	130	100	79	1823	525	2722	78	150	0.82
6854000	540	M	132	110	79	2127	535	3175	80	168	0.92
6854001	540	H	132	110	79	2279	640	3402	75	143	1.16
6855000	550	M	95	95	65	1671	200	2495	62	145	0.54
6855001	550	H	95	95	65	1823	360	2721	58	140	0.54
6872060	720	F/M	118	67	47	273	100	408	49	86	0.39
6872000	720	M	118	67	47	273	100	408	69	96	0.39
TRIPLE CONVOLUTION											
6870530	705	A	61	35	25	121	50	181	38	51	0.05
6870580	705	B	52	35	35	151	50	227	35	55	0.04
6870550	705	D	61	35	25	121	30	181	42	50	0.05
6875000	750	M	86	67	47	273	90	408	46	88	0.28
FOUR CONVOLUTION											
6891800	9185	H	119	67	47	182	80	272	45	88	0.30

Load/deflection curves for individual springs are available on request.

AUSTRALIA

Hallite Seals Australia Pty. Ltd
Unit 2, 1A Bessemer Street
Blacktown
NSW 2148
T: +61 (0) 2 9620 7300
F: +61 (0) 2 9620 7400
seals@hallite.com.au

INDIA

Hallite Seals India Pvt. Ltd
Special Plot #10, 3rd Main
1st Stage, Peenya Industrial Estate
Bangalore 560 058
T: +91 (0)80 2372 6000
F: +91 (0)80 2372 6002
seals@hallite.in

CANADA

Hallite Seals (Canada) Ltd
5630 Kennedy Road
Mississauga
Ontario L4Z 2A9
T: +1 (905) 361-2350
F: +1 (905) 361-2342
sales@hallite.ca

ITALY

Hallite Italia srl
Via Francia 21
Loc. Guasticce
57017 Collesalveti - Livorno
T: +39 (0) 58 642 8287
F: +39 (0) 58 642 9845
seals@hallite.it

CHINA

Hallite Shanghai Co. Ltd.
785 Xing Rong Road
Jiading Industrial Park
Jiading District
Shanghai 201807
T: +86 (0)21 3351 7272
F: +86 (0)21 3351 7085
hallite.shanghai@hallite.com

UNITED KINGDOM

Hallite Seals International Ltd.
130 Oldfield Road
Hampton
Middlesex TW12 2HT
T: +44 (0)20 8941 2244
F: +44 (0)20 8783 1669
seals@hallite.com

GERMANY

Dichtelemente Hallite GmbH
Billwerder Ring 17
21035 Hamburg
T: +49 (0)40 73 47 48-0
F: +49 (0)40 73 47 48 49
seals@hallite.de

UNITED STATES

Hallite Seals Americas
50777 Varsity Court
Wixom
Michigan 48393
T: +1 (248) 668 5200
F: +1 (248) 668 5210
seals@hallite.us